

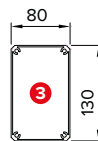
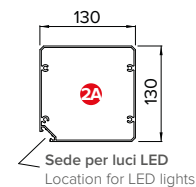
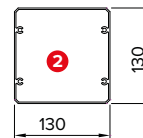
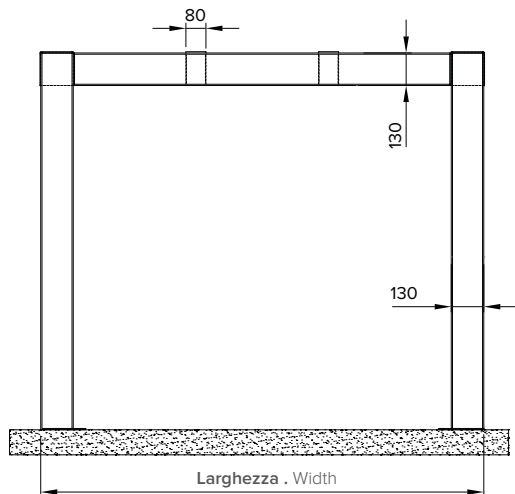


Peso medio  
Medium Weight

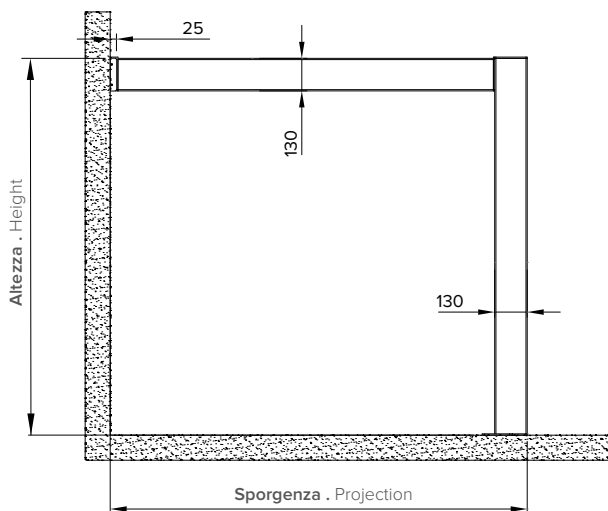
## Dati tecnici . Technical data

Quote espresse in mm - Dimensions in mm

Vista frontale . Frontal view



Vista laterale . Side view

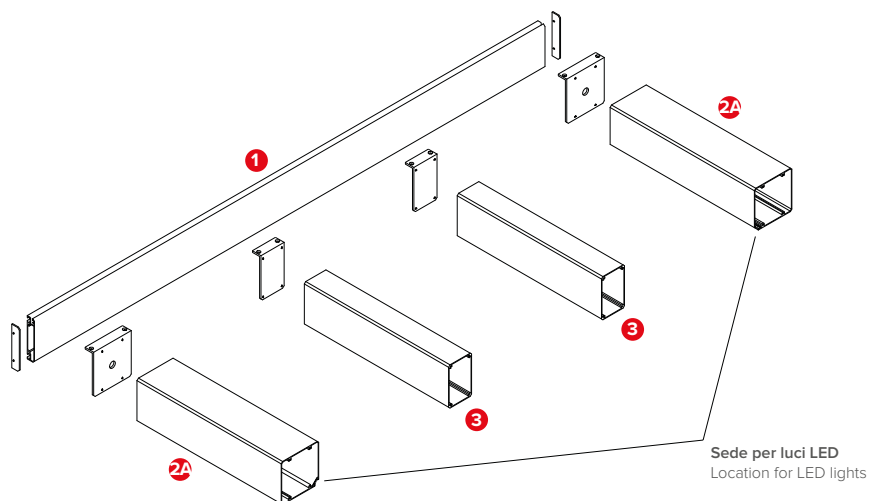
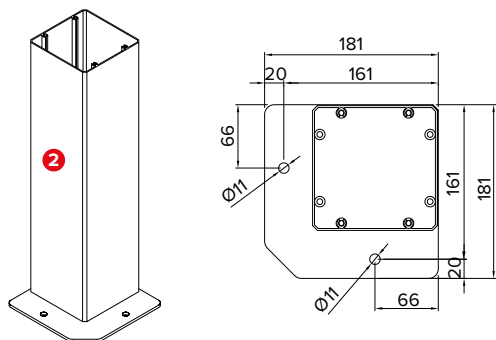




## Dettagli tecnici . Technical details

Quote espresse in mm - Dimensions in mm

Piede a terra . Foot



## Legenda tecnica . Technical legend

- 1 Traverso a muro . Wall crossbeam
- 2 Piantana / Traverso . Pole / Crossbeam
- 2A Traverso laterale con LED . Side crossbeam with LED
- 3 Traverso intermedio . Intermediate crossbeam